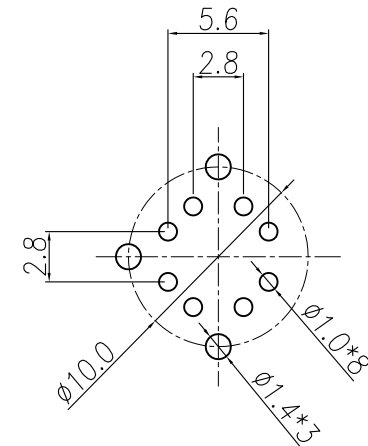
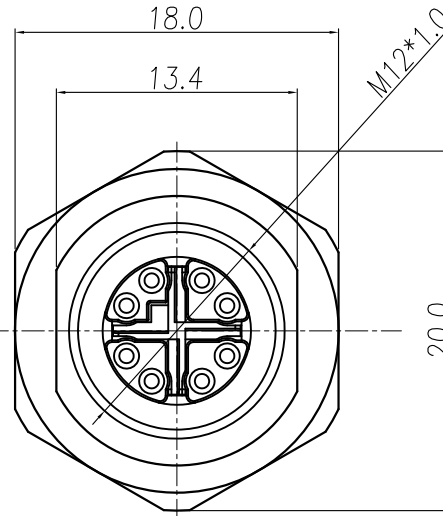
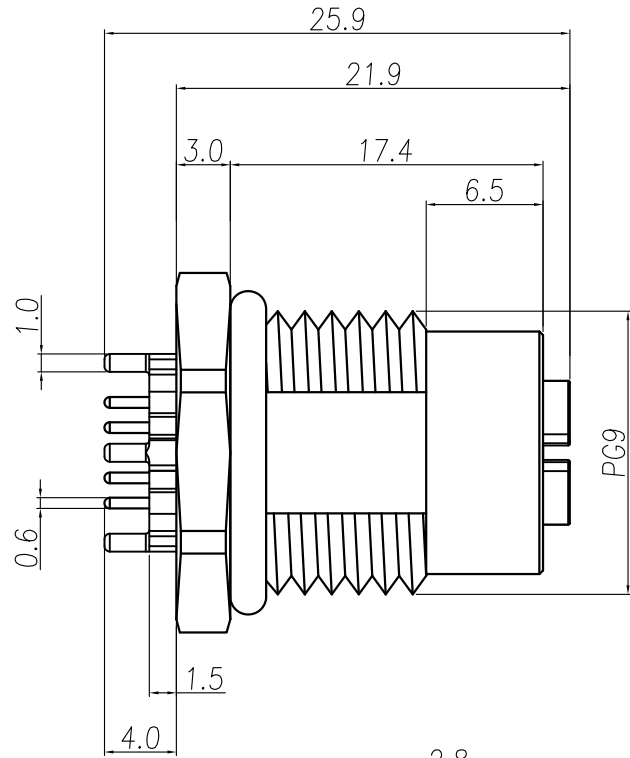


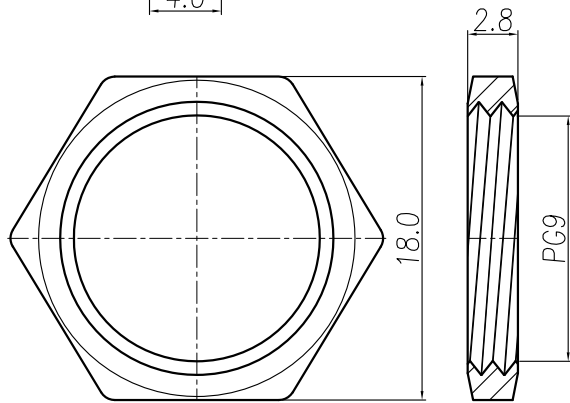
This document is the property of Nian-Yeong Corporation and is delivered on the express condition that it is not to be disclosed, reproduced or used, in whole or in part, for manufacture or sale by anyone other than Nian-Yeong Corporation without its prior consent, and that no right is granted to disclose or to use any information in this document.

# CUSTOMER DRAWING

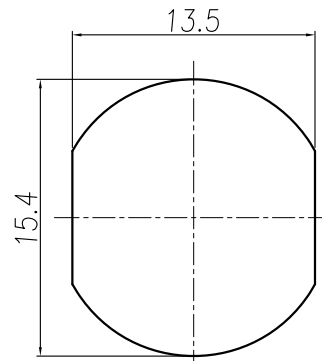
REV.	DESCRIPTION	APPROVED BY	DATE	ECN NO.
A	RELEASE	Fido Weng	04/12/14	
B				
C				



RECOMMEND P.C.B LAYOUT



NUT



RECOMMEND PANEL CUT-OUT

- MATERIAL :
  - 1-1. HOUSING : PA UL94V-0 ; COLOR : BLACK
  - 1-2. CONTACT : BRASS
  - 1-3. NUT : BRASS
  - 1-4. SHELL : BRASS
  - 1-5. O-RING : EPDM
  - 1-6. X-SHELL : Zn ALLOY
- FINISH :
  - 2-1. CONTACT : 10 MICRO INCHES MIN. GOLD PLATED UNDER PLATE : NICKEL
  - 2-2. NUT : NICKEL PLATED
  - 2-3. SHELL : NICKEL PLATED
  - 2-4. X-SHELL : NICKEL PLATED
- ELECTRICAL SPECIFICATION :
  - 3-1. Rated current : 0.5A
  - 3-2. Rated Voltage : 48V
  - 3-3. Water proof: IPX7
- Environmental :
  - 4-1. Operation Temperature : -40°C~85°C

DRAWN	Ku Chou	APPEND	Fido Weng	UNIT	mm	TOLERANCE		TITLE	防水 M12 8PIN X-Code (F) 插脚Pg9 DIP式(無鎖帽)			SHEET	
CHOKED	Emily Suen			SCALE	1:1	.x ±0.20 .xx ±0.10 .xxx ±0.05 .xxxx ±0.03 ANGULA ±1°		PART NO.	WP-08F2-55-11	DWG NO.	QC7053	VERSION	

NIAN YEONG ENTERPRISE  
年永實業有限公司